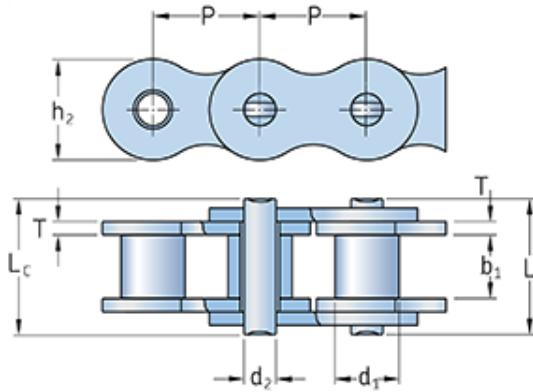


PHC 04B-1X5MTR



Pitch P (mm)	6
Roller diameter d1 max (mm)	4
Width between inner plates b1 min (mm)	2.8
Pin diameter d2 max (mm)	1.85
Plate height h2 max (mm)	5
Plate thickness T max (mm)	0.6
Weight (kg/m)	0.11